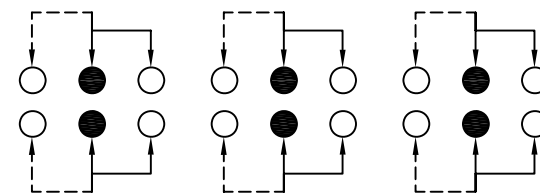
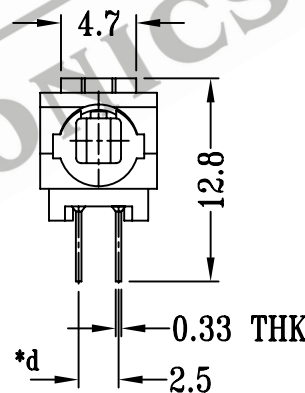
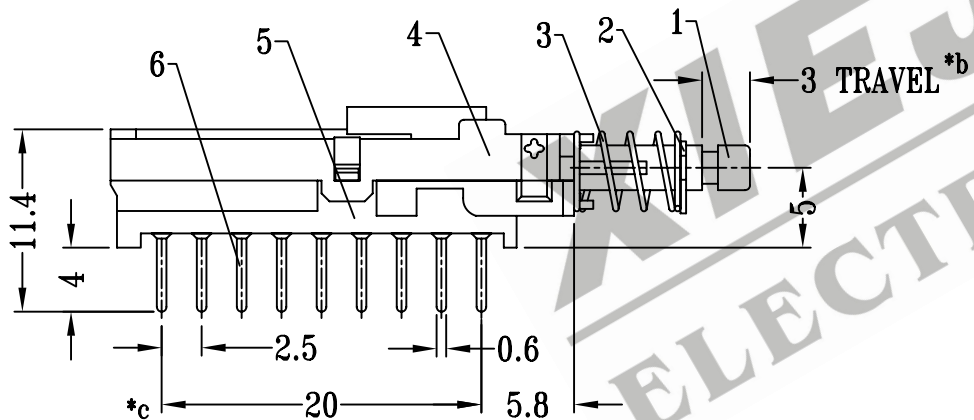
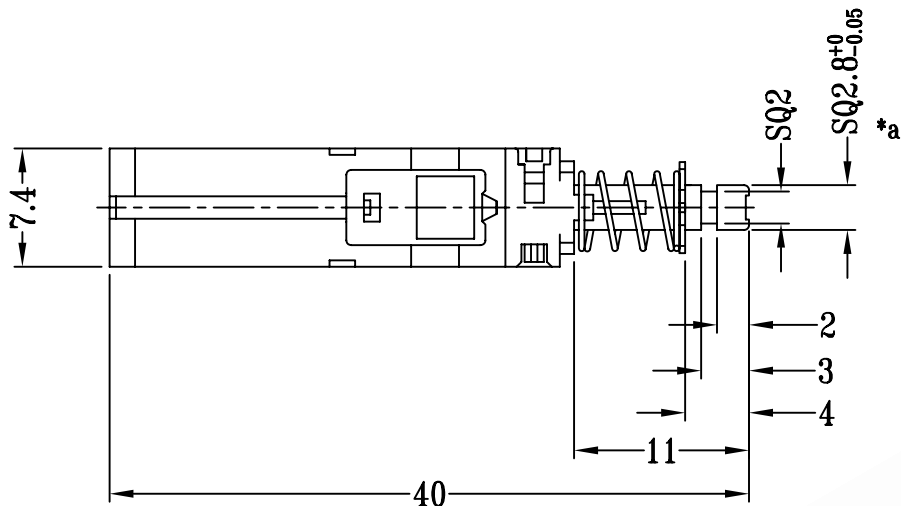
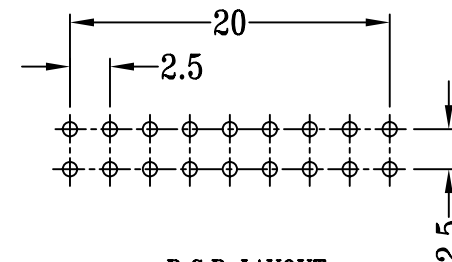


CAD FILE:



SCHEMATIC (NON-SHORTING)



P.C.B LAYOUT

注:带*表示关键尺寸(4个)

8					TOLERANCE	SHENZHEN XIEJIA ELECTRONICS CO.,LTD.				
7	CONTACT CLIP	PBS STRIP	6	Ag CLAD	UNLESS SPECIFIED					
6	TERMINAL	BRASS STRIP	18	Ag PLATED OVER Ni PLATED	WITHIN: 1.5±0.1mm	ISSUE	DATE	DESCRIPTIONS		APPD.
5	CASE	PBT+F.G+94V0	1	IVORY	OVER : 1.5±0.2mm					
4	COVER	POM	1	WHITE	TITLE : PLASTIC PUSH SWITCH		UNIT : MM	DRWG NO.: XJ-DR-PBS62E06-00		
3	SPRING	SUS	1	NATURAL	MODEL: PBS-62E06		SCALE: 2:1	DWN.	ZHOUYU	2003-10-27
2	BLOCK	STEEL STRIP	1	Ni PLATED				CHK'D	FANGYING	2003-10-27
1	KNOB	POM	1	BLUE	ALL MATERIALS MUST BE COMPLIANT TO ROHS		APPD.	KANGXINAN	2003-10-27	
NO.	PART NAME	MATERIAL	Q'TY	FINISHING						